

## General Setup Instructions

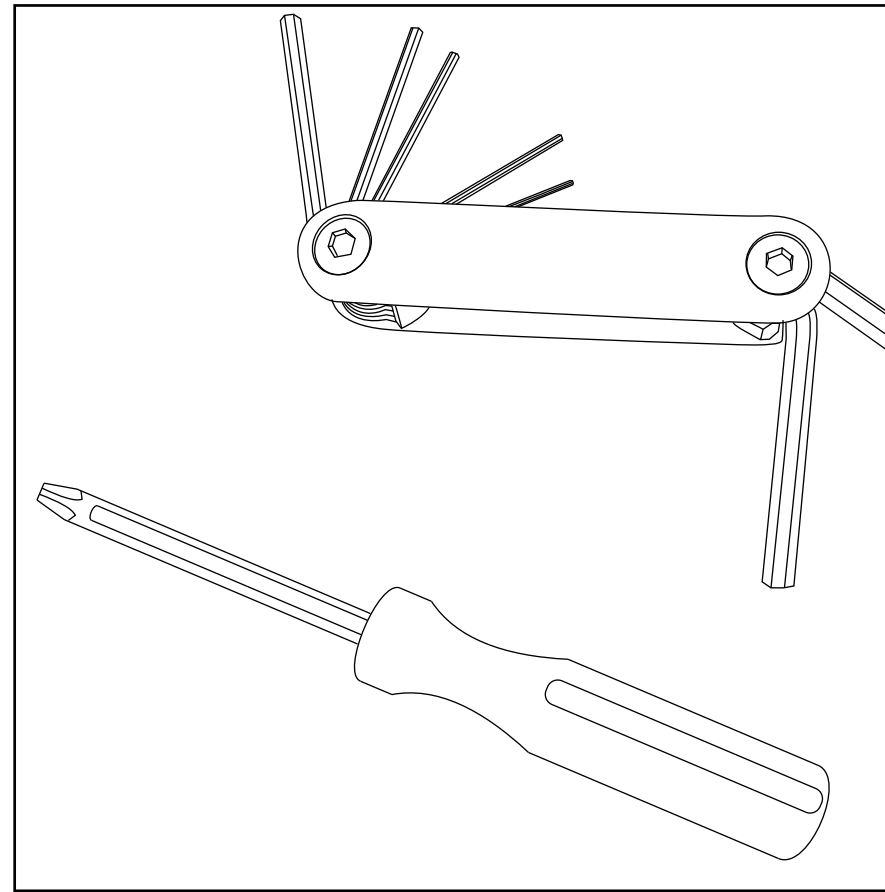
- The setup instructions are created specifically for your configuration.
- Setup instructions are laid out sequentially in levels, including exploded views and a logical series of steps for assembly. We encourage you to study the instructions before attempting to assemble your exhibit.

## Cleaning and Packing

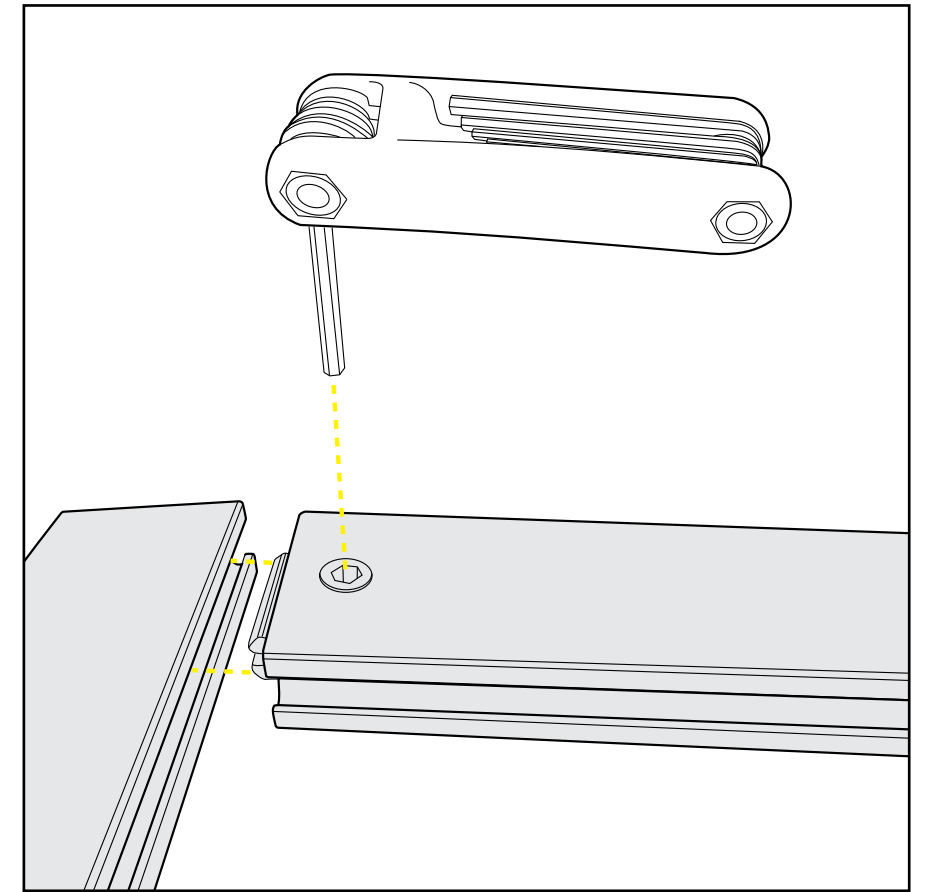
- Use non-abrasive cleaners when cleaning extrusions or ECO Glass inserts.
- Use mild cleaners and soft materials such as cotton to clean all laminates.
- Keep exhibit components away from extreme heat and long exposure to sun light. This will prevent warping and fading.
- Retain all packing material for ease of re-packing. This protects the exhibit components and keeps each part organized.

## Disassembling

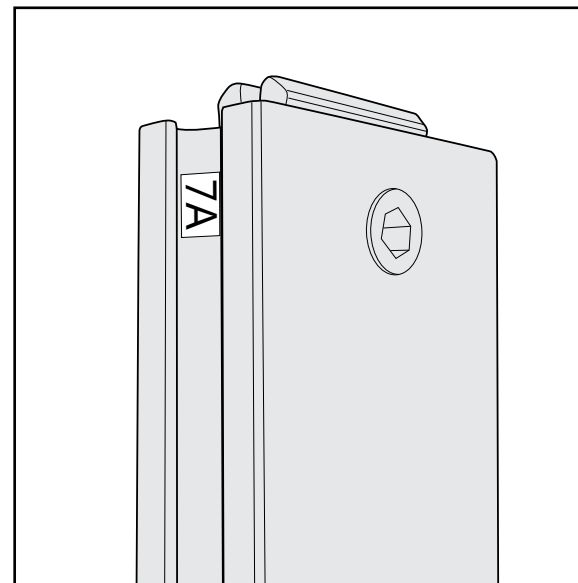
- When disassembling exhibit, tighten all setscrews to prevent loss of hardware in the shipping process.



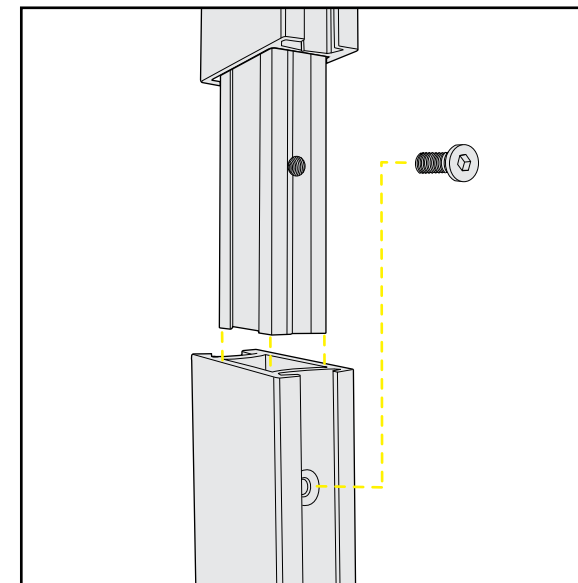
Hex Tool & Phillips Screwdriver are included for Assembling Exhibit



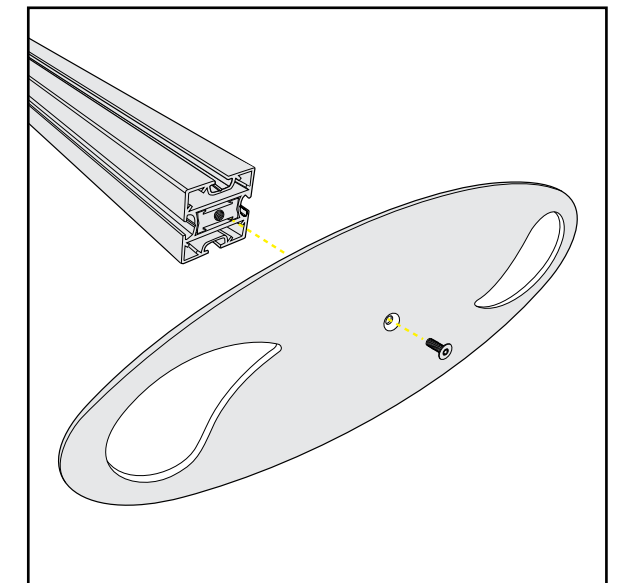
Extrusion Lock Connectors



Numbering Instructions for Setups/Packing



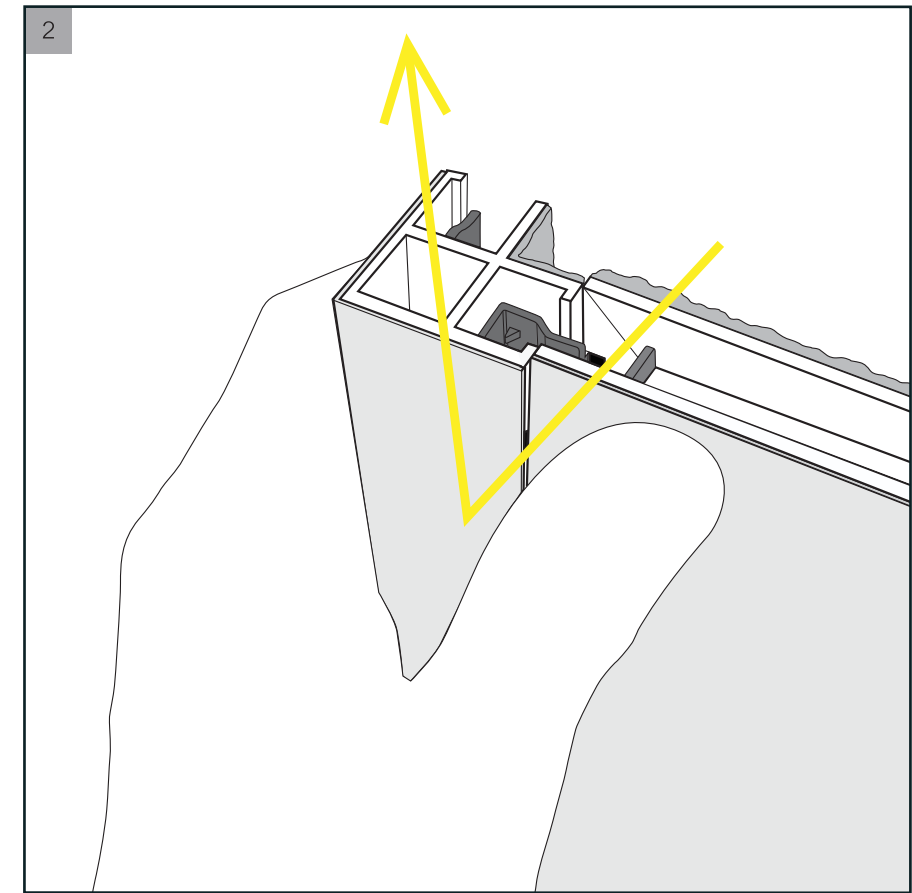
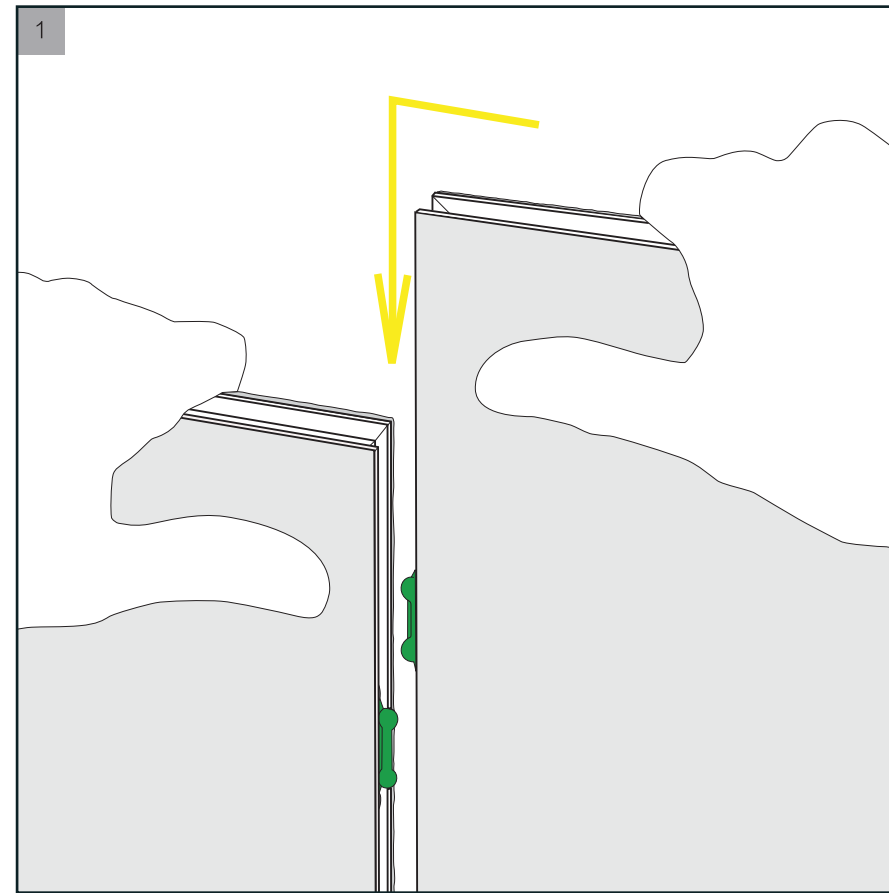
Inline Connection between Extrusions



Baseplate Connection for Vertical Extrusions

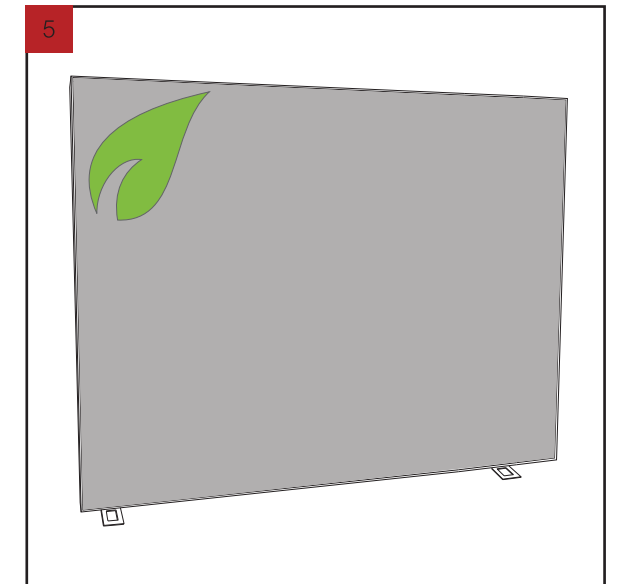
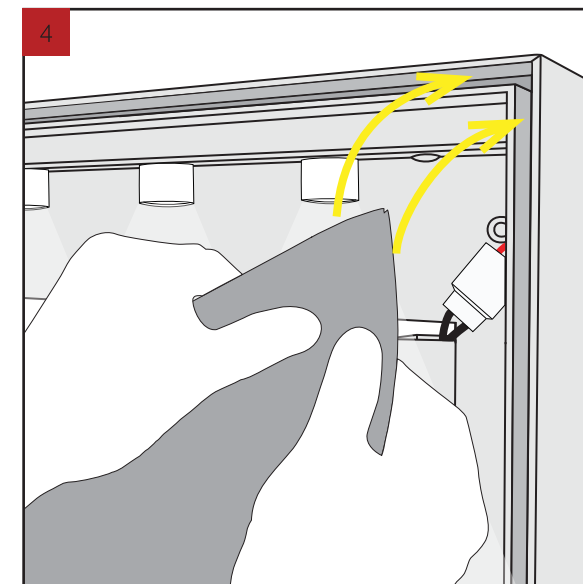
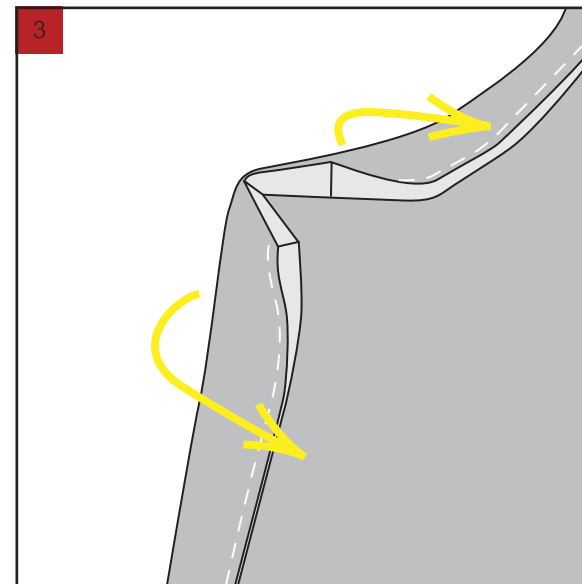
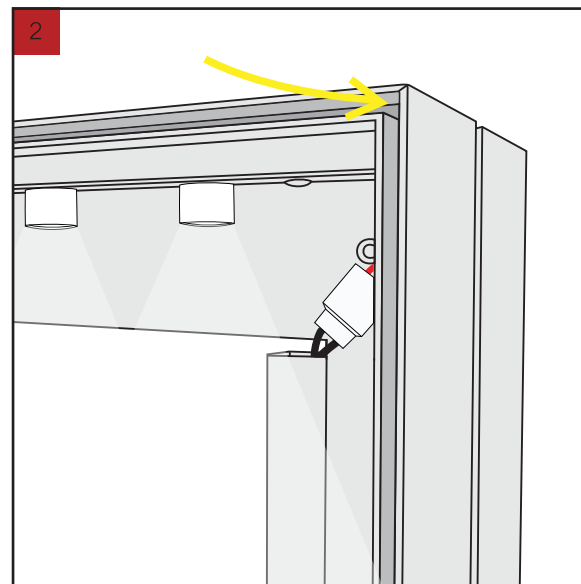
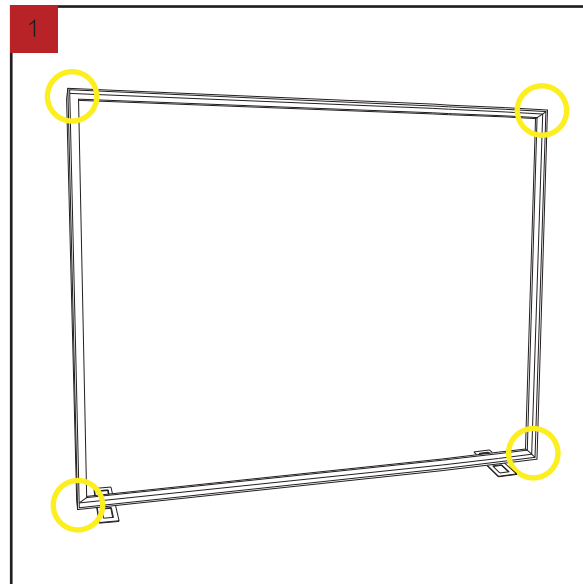
# ECO Panel Install

- 1 Place ECO panel together with a vertical offset, slide down to lock connector in place.
- 2 Panel Corner Connectors are installed just like ECO panels. Remove by off-setting top lock clips horizontally followed by separating vertically.

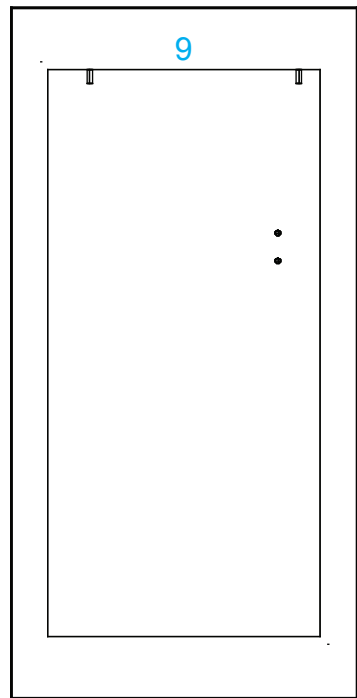


# SEG Graphic Install

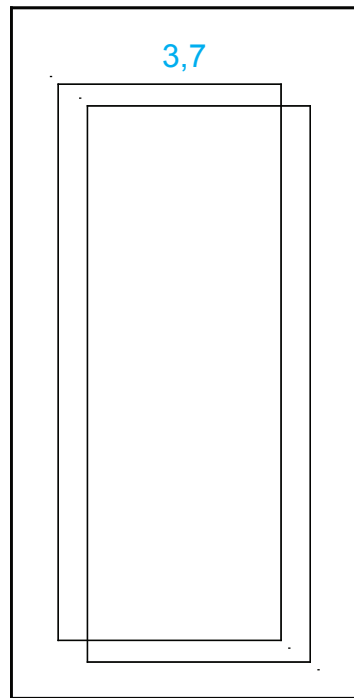
- 1 Graphic is installed corners first. This allows a proportional fit around the perimeter of the extrusion.
- 2 Locate channels along the edge of the extrusions.
- 3 Fold over graphic (hiding threads) and tuck silicon edge and fabric into corners.
- 4 After corners are complete, slide in the rest of the graphic into channel. (From edges to center)
- 5 Graphic is installed. Stand back and be amazed!



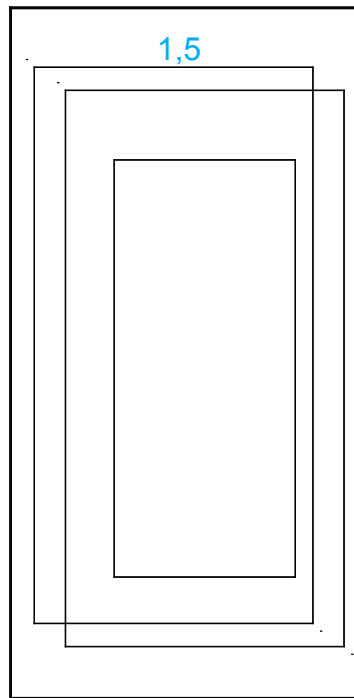
### Top View of Each Level



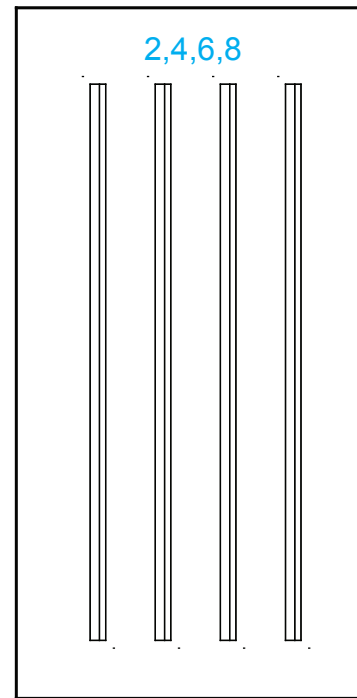
Level 1



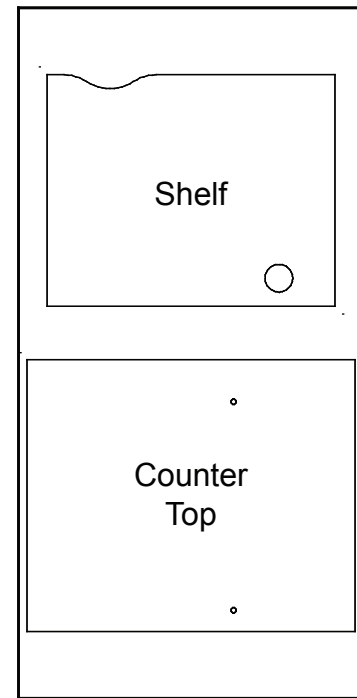
Level 2



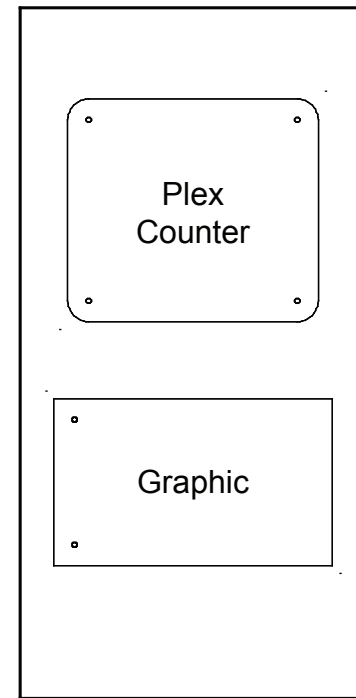
Level 3



Level 4



Level 5

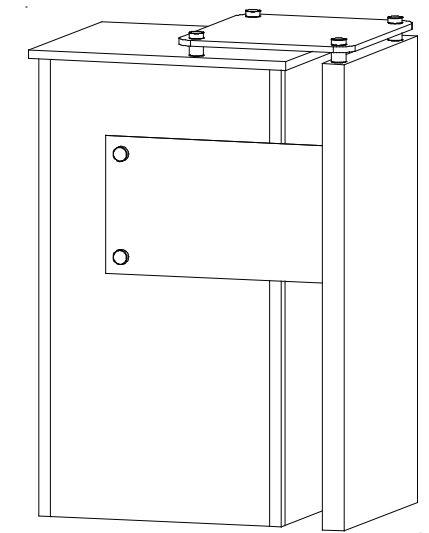
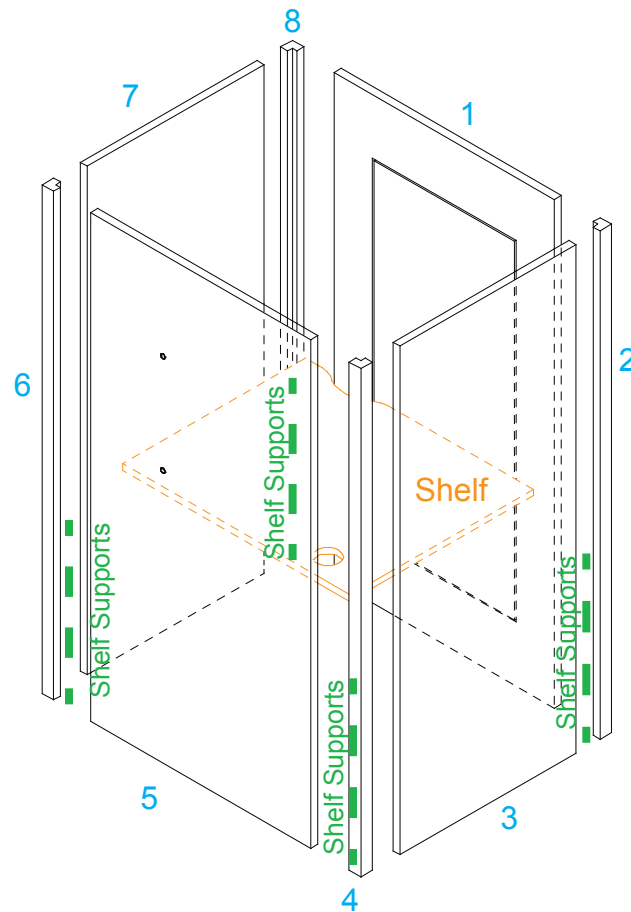


Level 6

Item	Qty.	Description
1	1	20"w x 40"h ECO Panel w/ Door
2	1	40"h 90° Connector
3	1	16"w x 40"h ECO Panel
4	1	40"h 90° Connector
5	1	20"w x 40"h ECO Panel
6	1	40"h 90° Connector
7	1	16"w x 40"h ECO Panel
8	1	40"h 90° Connector
9	1	19.5"w x 40.75"h x 2"d Counter Support Leg

Steps:

- 1) Assemble panels & connectors [1] through [8] in numerical order.  
*Refer to the ECO Panel Install general information page.*
- 2) Affix Shelf Supports to interior of assembled pedestal, using Velcro; place interior Shelf on top of supports.
- 3) Attach Counter Support Leg [9] to Panel [3] of pedestal.  
See Counter Support Leg Attachment detail.
- 3) Connect Standoff Graphic to front of Panel [5] of pedestal.  
See Graphic Attachment detail.
- 4) Place Counter Top on top of assembled pedestal.
- 5) Attach Plex Counter to top of pedestal using stand-off Barrels & Caps.



When assembled

